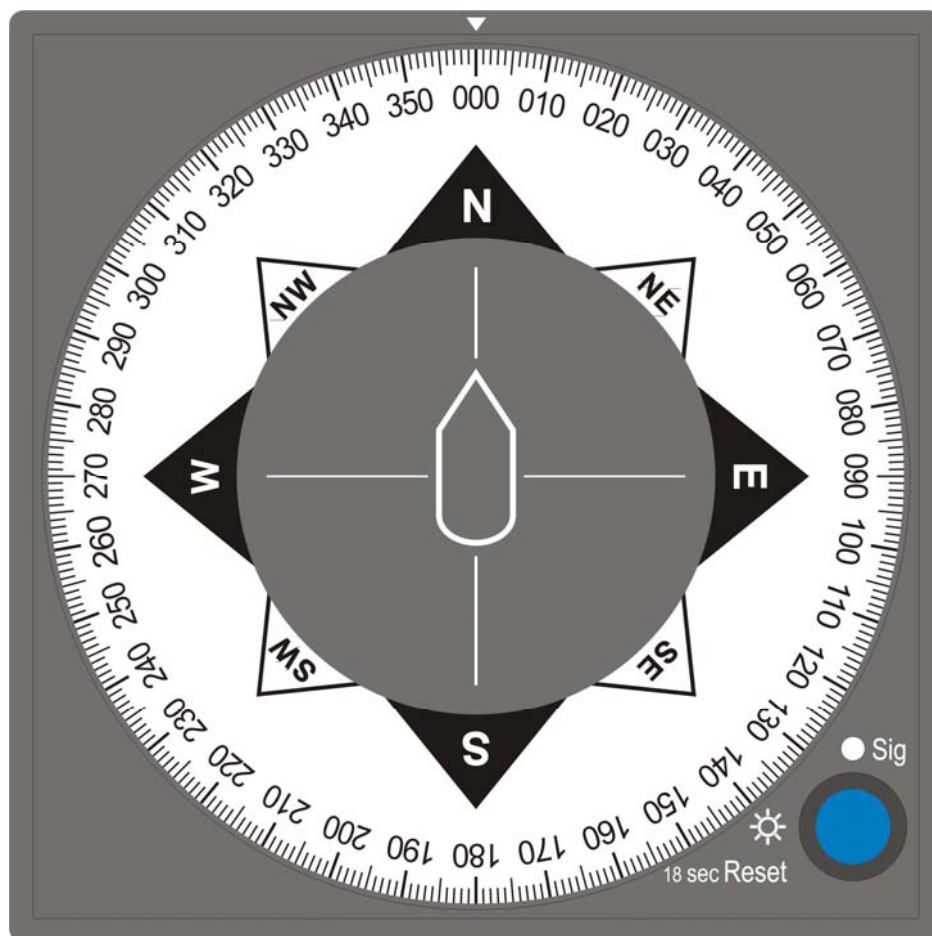


NINGLU

SR362

Steering Repeater Operating & Installation Manual



NINGLU TECHNOLOGY CO., LTD.

105-2 Da Ming Road Nanjing City, China

Phone: 86-25-52614640 ext. 8820

URL: <http://www.sounder.com.cn>

Doc No.: NLT-SR362-SSEN

Version: V140301

INSTRUCTION

Steering repeater SR362 ensures a clear indication of the heading information by using a 360° compass card. Brightness is adjusted on the front panel, via NMEA or from the optional remote controller, DIM930. Multiple installation methods facilitate observation in different positions.

Features

- NMEA0183 gyro signal input
- 1° reading accuracy
- Signals monitor indication
- 6-level adjustable LED backlight
- Self-calibration when boot

Packing list

No.	Item	Qty	Note
1	Main unit	1	SR362
2	Operation manual	1	
3	Self-tapping screws	4	ST4.2×25 for flush mounting
4	Self-tapping screws	3	Black ST4.2×20 for ceiling mounting
5	Power/data cable	1	2m with 8-pin connector
6	Remote dimmer	1	DIM930 (optional)

SPECIFICATIONS

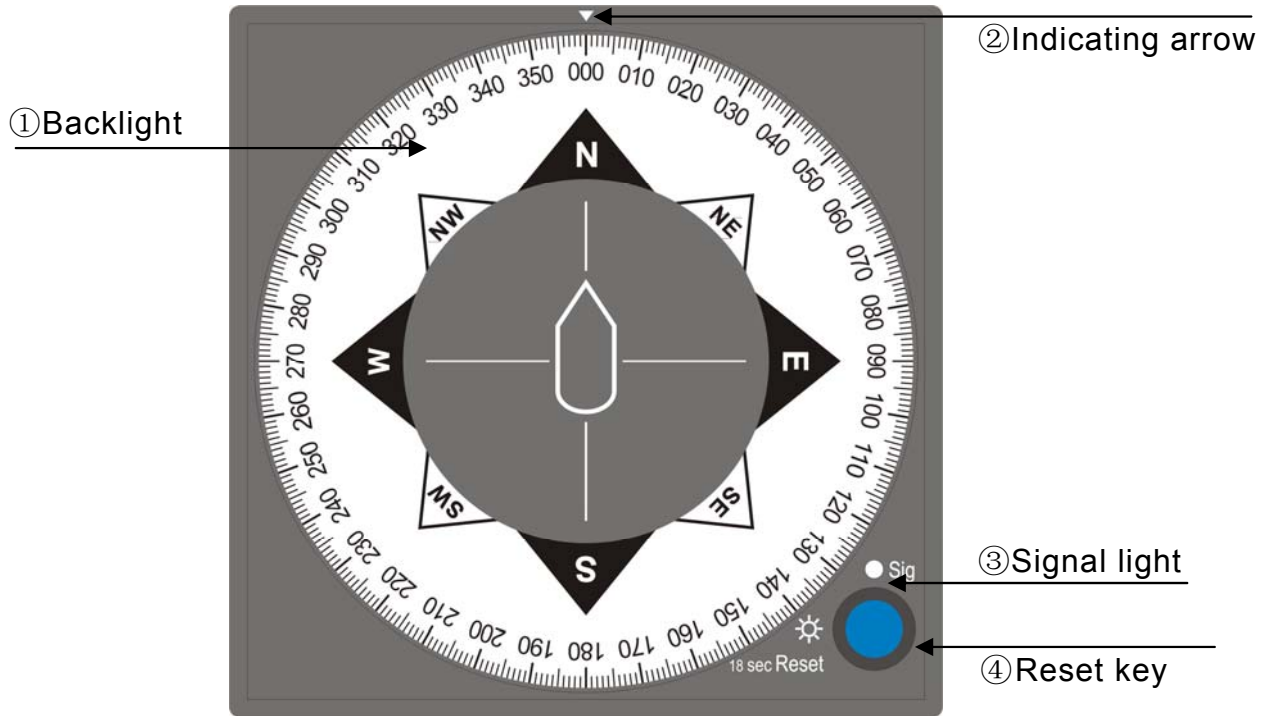
Dimension:	218 (L) × 202(W) × 64(H) mm
Flush mounting window size:	170×170mm (6.693×6.693 inch)
Weight:	about 2Kg
Supply voltage:	DC18~36V reverse-polarity and over-current protection
Power consumption:	≤ 8.4W(DC 24V)
Indication range:	0 ~ 359°
Reading accuracy:	±1°
Data format:	NMEA0183 sentence \$--HDT,x.x,T*hh<CR><LF> └───┬───┘ Heading, degrees true
Input baud-rate:	4800bps
In accordance with:	IEC61162-1

Permissible ambient temperature and humidity

Operation temperature:	0°C ~ +40°C
Storage temperature:	-20°C ~ +70°C
Humidity:	10% ~ 90% relative
Type of enclosure acc. to:	IP 22

OPERATION

Panel introduction



① Backlight: 6-level adjustable LED backlight

② Indicating arrow Indication of the heading

③ Signal light: Indication of working status

1. Normal mode: Signal monitor

Signal correct: green (continuous)

Signal incorrect: red (flash)

2. Manual calibration mode: red/ green (flash)

(Refer to Manual calibration in page 4 for details)

④ Reset key: 1. Adjust backlight

2. Manual calibration

OPERATION

1. Boot-strap (self-calibration)

Connected with MEA0183 gyro signal and power supply, SR362 will auto start self-calibration to 0° while signal light is red (continuous).

**ATTENTION! Please avoid direct sunshine during self-calibration!
Otherwise it may cause calibration failure.**

2. Common mode

When self-calibration, unit auto identify the NMEA0183 signal and turn into common mode. Signal light indicates the signal status:

Input correct NMEA0183 gyro signal: **Green (continuous)**

Input incorrect NMEA0183 gyro signal: **Red (flash)**

In common mode, users can adjust backlight by pressing Reset key (quick touch).

3. Manual calibration mode

If self-calibration fails, please restart the unit or turn into manual calibration mode.

3.1 Turn into manual calibration mode

Long touch Reset key for 18 seconds (25 times buzzers) until the signal light turns to **red (flash)** and compass card starts to rotate, and let go the Reset key.

3.2 Manual calibration

Wait until the compass stop rotation, then long touch Reset key.

The compass card will rotate counterclockwise slowly until you let go Reset key, meanwhile signal light is **red (flash)**.

Long touch Reset key again, then signal light will turn to **green (flash)**, and the compass card will rotate clockwise slowly until you let go the Reset key. Repeat the above operation until calibrate to 0°.

3.3 Turn into common mode

After calibrating to 0°, stop all operation, then the signal light will flash quicker and quicker until be **green (continuous)** which means common mode.

REMOTE DIMMER (optional)

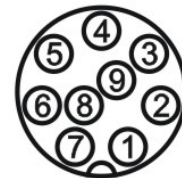
DIM930 can be used for remote control of the SR362 backlight.



WIRING

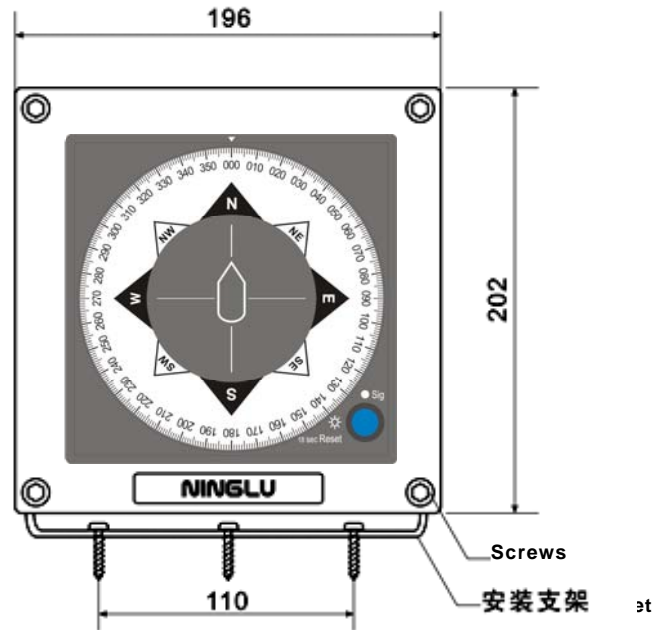
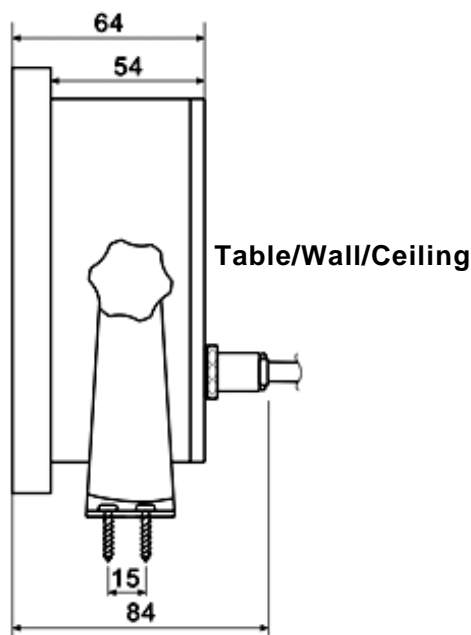
Supply voltage: DC24 (DC18V~DC36V)

WIRING CONNECTING (接线说明)			
COLOUR (颜色)	SIGNAL (信号)	COLOUR (颜色)	SIGNAL (信号)
1 RED (红)	+24V	7 YELLOW (黄)	DIM -
2 BLACK (黑)	-24V	8 GREY (灰)	DIMKEY
3 BLUE (蓝)	NMEA IN B	9 SHIELD (屏蔽)	GND
4 WHITE (白)	NMEA IN A	DIM+	REMOTE DIMMER
5 ORANGE (橙)	NC	DIM -	(遥控亮度)
6 GREEN (绿)	DIM +	DIMKEY	

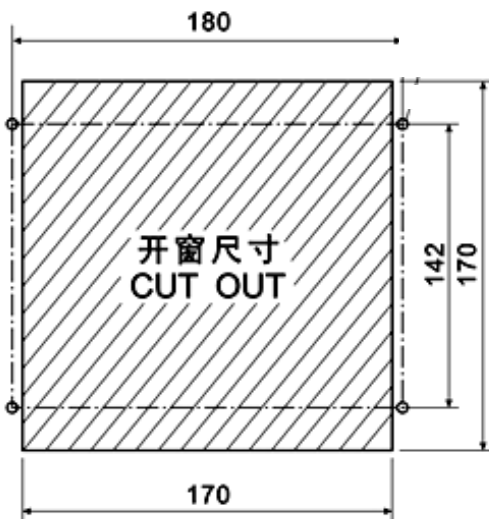


INSTALLATION

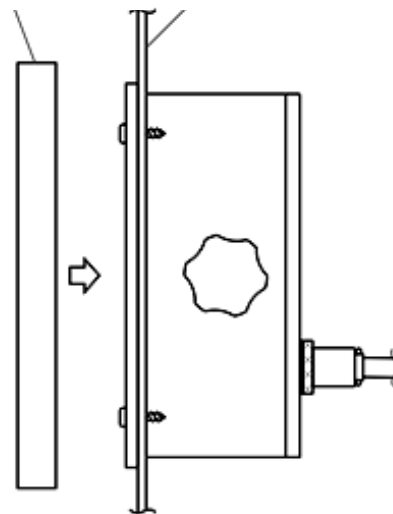
The unit can be mounted in panel, table, wall or ceiling.



Front Frame Panel



Panel (Flush)



1. For tabletop mounting, wall or ceiling mounting use the supplied bracket.
2. For panel (flush) mounting, take off the bracket and take off the front frame.

Cut a 170x170mm(6.693x6.693inch) size square window in the panel, fix the inside 4 holes with tapping screws, and put on the front frame again.